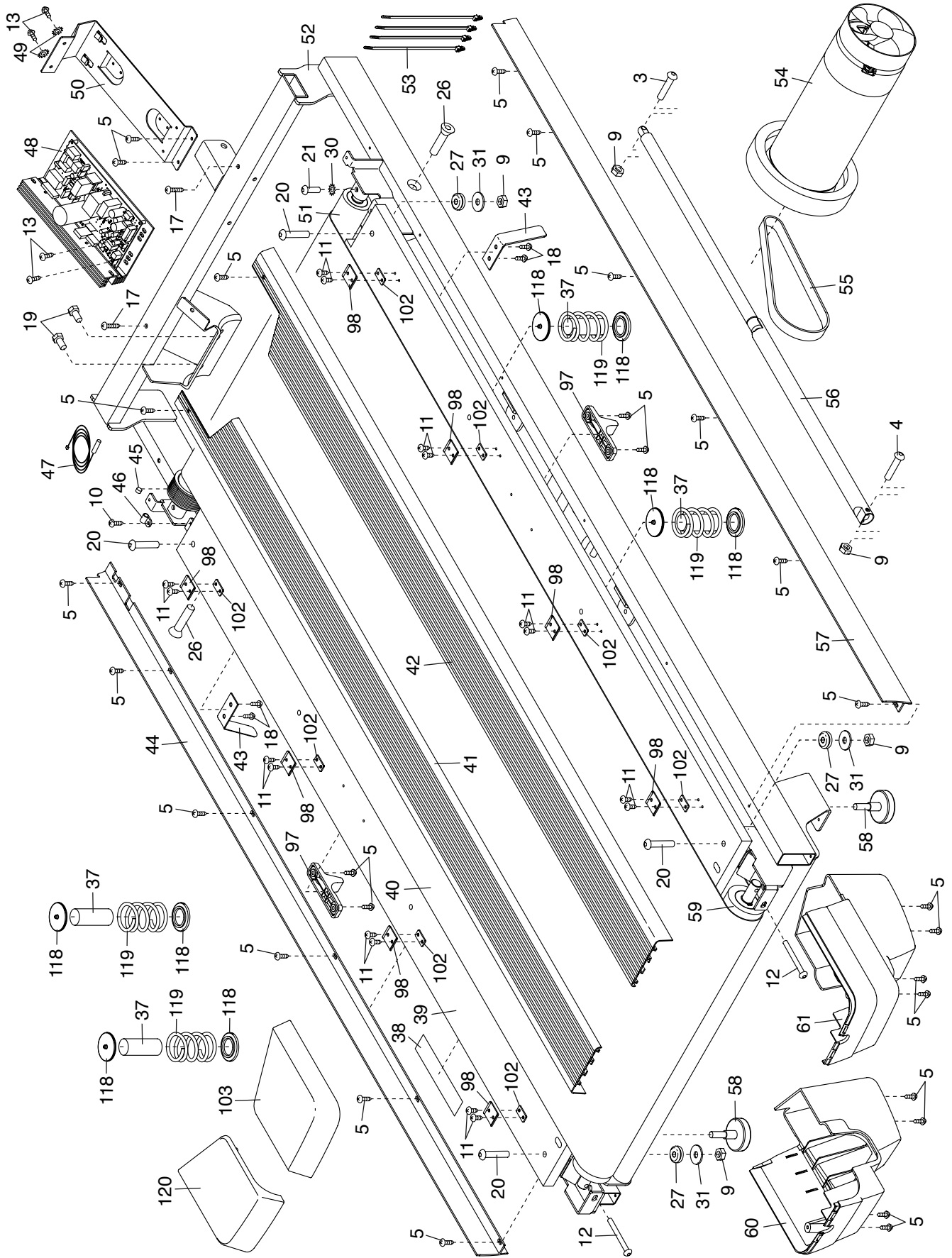


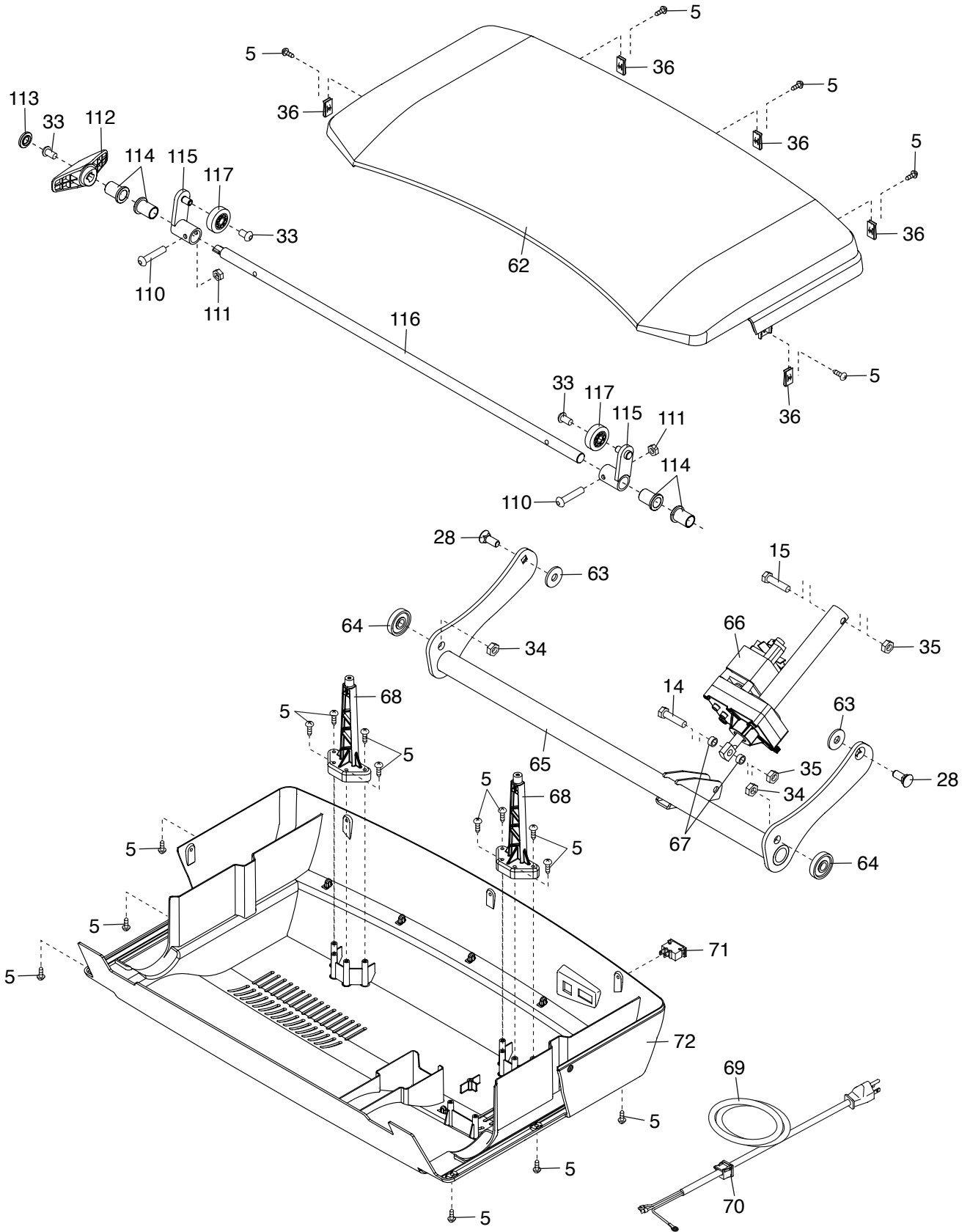
EXPLODED DRAWING A

Model No. NTL14113.0 R1213A



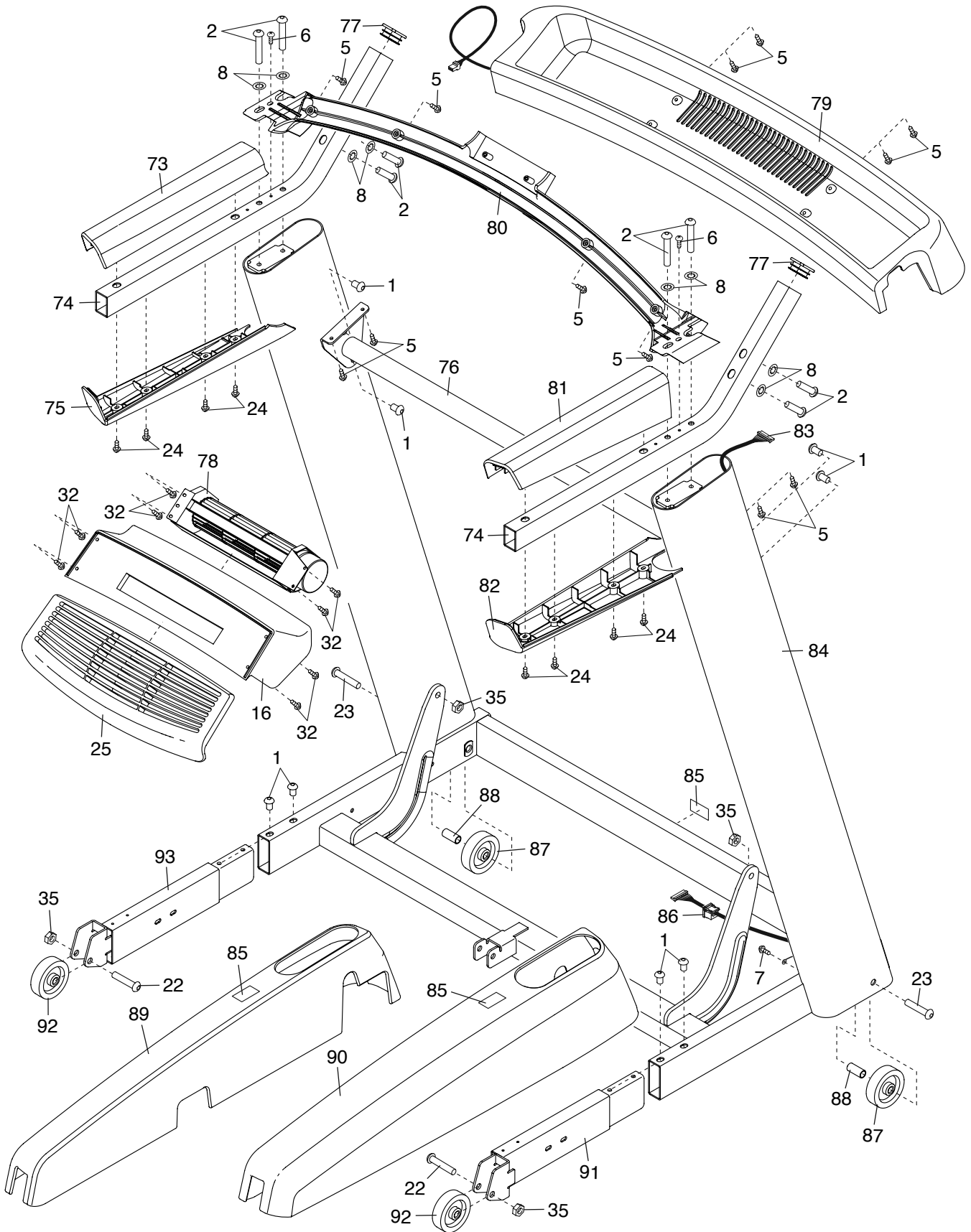
EXPLODED DRAWING B

Model No. NTL14113.0 R1213A



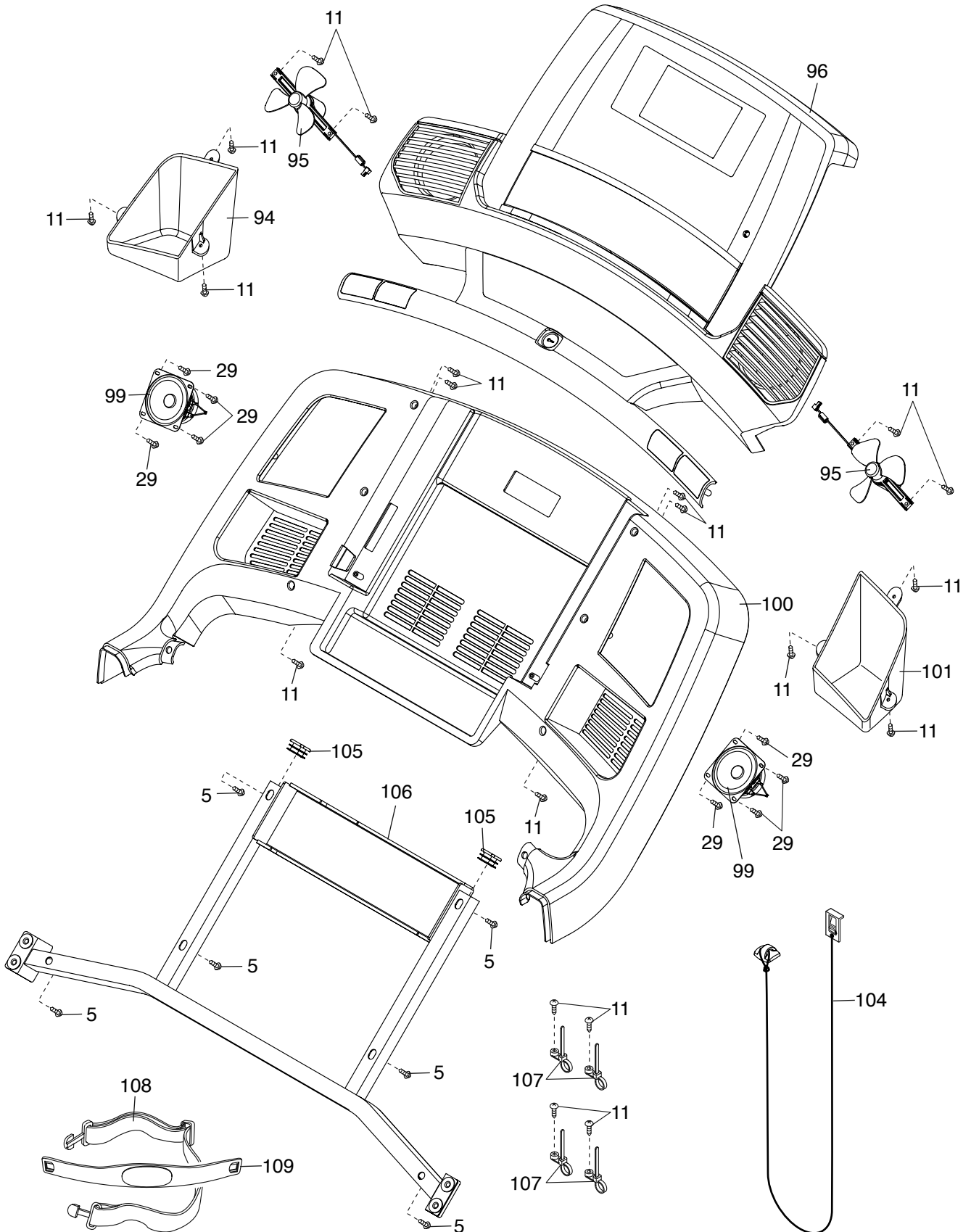
EXPLODED DRAWING C

Model No. NTL14113.0 R1213A



EXPLODED DRAWING D

Model No. NTL14113.0 R1213A



Bubble #	OEM#	Description
1	295136	5/16" X 3/4" SCREW
2	203283	5/16" X 2" SCREW
4	349213	5/16" X 2 1/4" BOLT
6	167049	#10 X 3/4" SCREW
8	14149	5/16" STAR WASHER
9	100427	5/16" NUT
10	13300	#8 X 3/4" TEK SCREW
12	364027	1/4" X 2 1/2" SCREW
13	186819	#8 X 1/2" MACHINE SCREW
14	346519	3/8" X 1 1/2" BOLT
16	337718	TV REMOTE
17	128263	#8 X 1 3/4" SCREW
18	136728	#8 BELT GUIDE SCREW
19	295758	5/16" MOTOR BOLT
20	298484	5/16" BOLT,FLASH TM11-200
22	149072	3/8" X 1 3/4" BOLT
23	308472	BASE PAD
24	13607	#8 X 3/4" TRUSS HD SCREW
26	328210	1/2" X 2" BOLT
27	298474	RUBBER CUSHION
28	351833	3/8" X 1" SCREW
30	14064	1/4" STAR WASHER
31	152478	5/16" FLAT WASHER
34	100553	1/2" NUT
35	119425	3/8" NUT
36	133333	HOOD CLIP
37	324707	CUSHION
38	305284	WARNING DECAL
39	352009	WALKING PLATFORM
40	352010	WALKING BELT
41	353164	LEFT FOOT RAIL
42	353163	RIGHT FOOT RAIL
43	198639	BELT GUIDE
46	131090	CLIP
47	165798	REED SWITCH
49	14157	#8 STAR WASHER
50	361845	CONTROLLER BRACKET
51	352011	DRIVE ROLLER/PULLEY
53	240351	TIE
55	287224	MOTOR BELT
56	388199	STORAGE LATCH
59	223662	IDLER ROLLER
60	358779	LEFT REAR CAP
61	358780	RIGHT REAR CAP
62	353269	MOTOR HOOD
66	352008	INCLINE MOTOR

67	114078	INCLINE MOTOR SPACER
68	230979	HOOD MOUNT
69	31229	POWER CORD
70	173169	POWER CORD GROMMET
71	186726	POWER SWITCH
72	351693	BELLY PAN
73	351952	LEFT HANDRAIL TOP COVER
74	357774	HANDRAIL
75	351951	LEFT HANDRAIL BTM COVER
76	353159	UPRIGHT CROSSBAR
77	104794	CONSOLE FRAME CAP
79	351686	TRAY
80	353162	PULSE CROSSBAR
81	351954	RIGHT HANDRAIL TOP COVER
82	351953	RIGHT HANDRAIL BTM COVER
83	352052	UPRIGHT WIRE
85	252433	CAUTION DECAL
86	173169	UPRIGHT GROMMET
87	251429	M4 X 12MM SCREW
91	358697	RIGHT EXTENSION LEG
92	139090	REAR WHEEL
94	351787	LEFT TRAY
95	353324	FAN
100	353073	CONSOLE BASE
101	351788	RIGHT TRAY
102	408169	TV
103	342379	UPPER TV BRACKET COVER
104	347877	KEY/CLIP
105	186253	CONSOLE FRAME CAP
107	132315	WIRE TIE
108	315183	PULSE STRAP
110	13235	1/4" X 1 1/2" BOLT
111	121576	1/4" NUT
112	351689	ADJUSTMENT HANDLE
113	351691	HANDLE CAP
114	329452	CUSHION BUSHING
115	359999	CUSHION ROD BRACKET
116	351453	CUSHION ROD
117	329503	CUSHION WHEEL
118	320295	CUSHION PLATE
119	319487	CUSHION SPRING
120	351698	LEFT REAR CAP
121	353268	RIGHT REAR CAP
122	355174	FOOT RAIL PLATE
123	355175	RIGHT REAR CAP
124	329505	CUSHION WHEEL STOP
125	312455	TRAY FAN

126	358504	TRAY FAN COVER
128	125819	STAND-OFF
#	16057	8" CABLE TIE
#	116926	RELEASABLE WIRE TIE
#	209460	ALLEN WRENCH
#	211260	LIFT MOTOR WIRE HARNESS
#	214773	DRIVE MOTOR GROUND WIRE
#	215822	CONSOLE GROUND WIRE
#	217913	1/4" FLAT WHEEL WASHER
#	286707	INCLINE MOTOR SENSOR KIT
#	291486	#8 REAR ENDCAP SCREW
#	306013	30" WIRE HARNESS
#	331708	BLYPN BUMPON
#	337416	ISOLATOR ON/OFF SPACER
#	348862	30" TV CABLE
#	348868	12" TV CABLE
#	351958	ISOLATOR ON/OFF HANDLE
#	352363	14" 4 WIRE TV HARNESS
#	352364	14" 5 WIRE TV HARNESS
#	361527	10" WIRE HARNESS
#	411544	WIFI 2.4GHZ REPEATER
.	146119	FLOOR MAT
.	215823	AUDIO WIRE
.	219168	1 TUBE LUBE KIT
.	219170	3 TUBE LUBE KIT
.	356520	ACCESSORY KIT
11A	13576	#8 X 1/2" SCREW
29A	13576	#8 X 1/2" SCREW
29B	359989	#8 X 3/8" HILO SCREW
33A	183246	1/4 X 1/2" SCREW
33B	269381	1/4 X 5/8" SCREW
5A	13322	#8 X 3/4" SCREW
96C	158013	FELT PAD